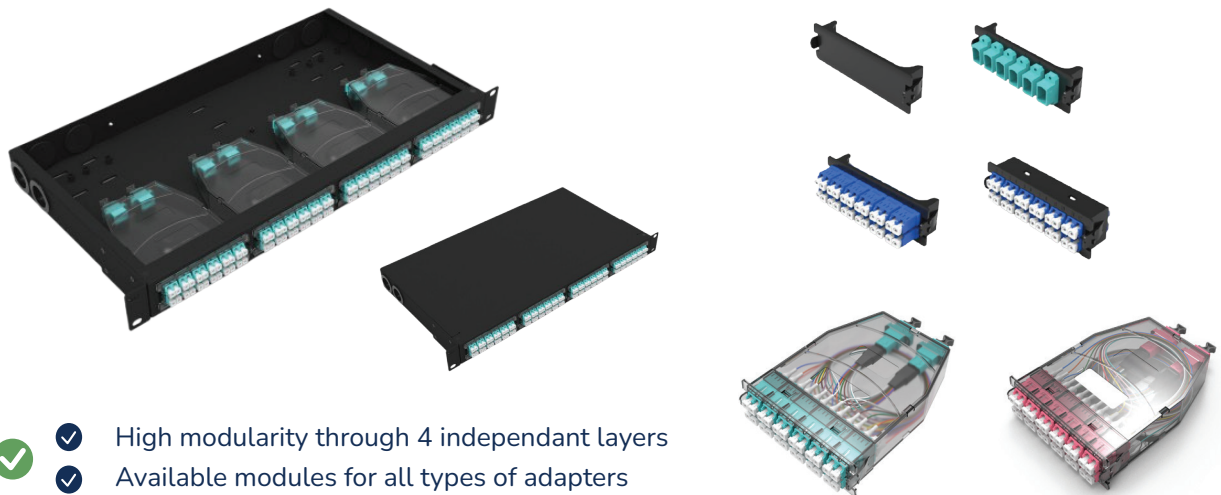


KSFP1UMPO

MPO Optical patch panel 19 inches 1U unloaded with accessories
4 slots and 96 fibers



UNIK ✓

- ✓ High modularity through 4 independent layers
- ✓ Available modules for all types of adapters
- ✓ Easy managements in front and back panel
- ✓ Multiple options of cabling installation

THE PURPOSE

This 19-inch optical patch panel is designed to meet the fiber density requirement and easy installation on site. Thanks to the 4 independent layers you can easily manage MPO cassette module and accessories. The permits to manage 96 fibers in 1U.

The front adapter module can be available in :

6 MPO per module, 6 LC per module, 12 LC Duplex per module.

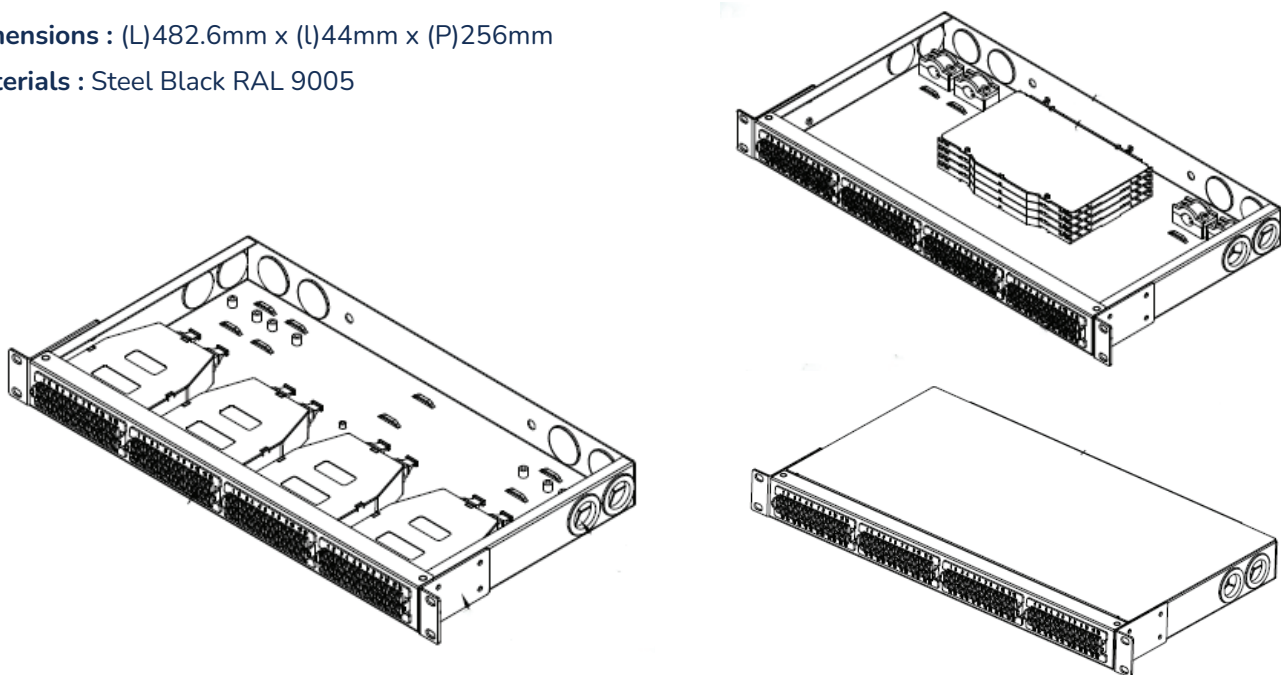
The panel's durability is insured with high-quality materials, promising reliable service over time.

Furthermore, user-friendly fixture to install only with one hand. It is delivered with accessories kit: 2 cable saddle, 6 cable ties and 6 magic stick strip.

THE STRUCTURE

Dimensions : (L)482.6mm x (l)44mm x (P)256mm

Materials : Steel Black RAL 9005



KSFP1UMPO

MPO Optical patch panel 19 inches 1U unloaded with accessories
4 slots and 96 fibers

PURCHASE INFO

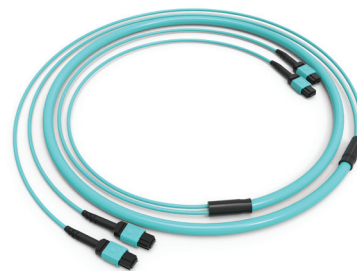
Item	Designation	Packing
KSFP1UMPO	MPO Optical patch panel 19 inches 1U unloaded with accessories	Eco-box de 1p
KSFPBL	Blank adapter plate	Eco-box de 1p
KSFPMP06	MPO Adapter plate 6 units	Eco-box de 1p
KSFPDLC12	12 LC Duplex adapter plate	Eco-box de 1p
KSFPPLC12	12 LC Duplex adapter plate plugin latch	Eco-box de 1p
KSCMPOxxxOxx	SC Duplex MPO Cassette	Eco-box de 1p

EXTRAS



KSET24FO

Stackable splice trays for 24 heat shrinks



KTRxxxxOxx

MPO-MPO trunk patch cable

