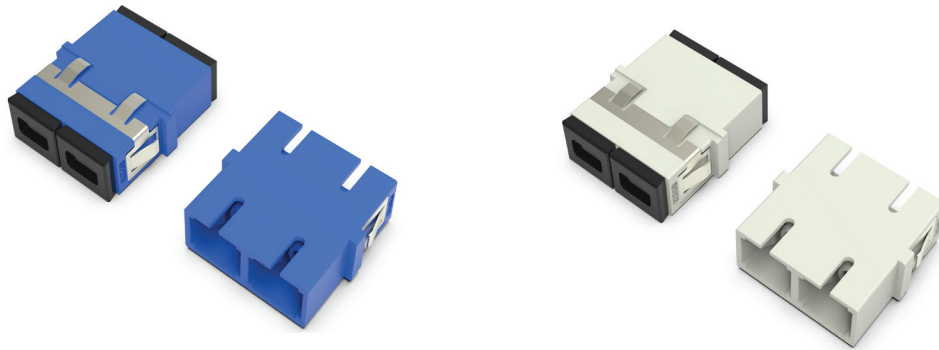


KSASCDX

SC Duplex Adapter Twin Core with short flange



UNIK ✓

- ✓ Compact Design with short flange
- ✓ High-Precision Alignment
- ✓ Durable construction
- ✓ Integrated Mounting Clips

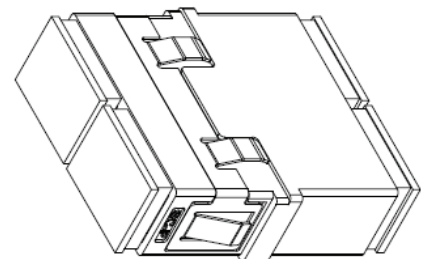
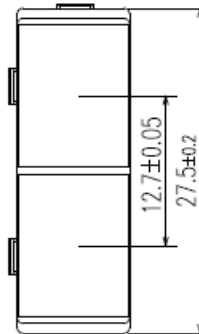
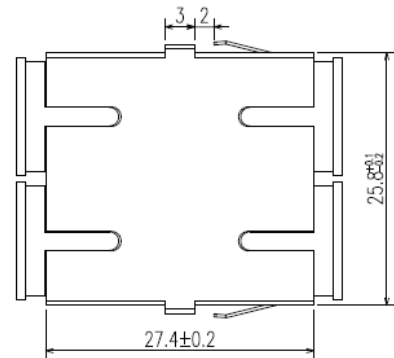
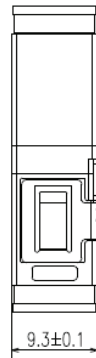
THE PURPOSE

The UNIKKERN SC twin-core adapter with a short flange is designed to connect two SC duplex connectors, facilitating efficient fiber optic connections. Its compact design with a reduced flange size allows for higher-density installations, optimizing space within patch panels and enclosures. Equipped with zirconia ceramic alignment sleeves, it ensures precise mating of connectors, resulting in low insertion loss and reliable performance.

The adapter's lightweight and durable construction, often featuring integrated mounting clips, enables easy snap-in installation, simplifying the setup process.

THE STRUCTURE

Mode	Housing Color
SM/PC	Blue RA 5015
SM/APC	Green RAL 6018
MM	Beige RAL 9001
OM3	Aqua RAL 6034
OM4	Magenta RAL 4003
OM5	Lemon green Pantone 2300C



KSASCDX

SC Duplex Adapter Twin Core with short flange

PURCHASE INFO

Item	Designation	Packing
KSASCDM	SC Duplex Multimode Adapter	Eco bag of 40pcs
KSASCDs	SC Duplex Singlemode Adapter	Eco bag of 40pcs

EXTRAS



KSPLICE60MM

Splice protection heat shrinks 60mm



KPIGxxxxxxMEF

Pigtails 2 meters eco friendly

